



SPECIFICATIONS
LINERS
 RANGE HOODS

Power Unit Insert Liners

• **Dimensions**

- HL24RS: Overall width - 22½"
 - Overall depth - 21"
 - Height - 3½"

- HL28RS: Overall width - 28½"
 - Overall depth - 21"
 - Height - 3½"

- HL36RS: Overall width - 34½"
 - Overall depth - 21"
 - Height - 3½"

• **Body**

24 Gauge Stainless Steel

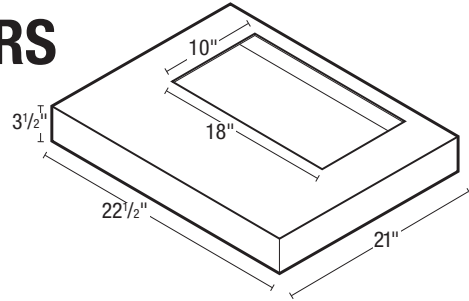
• **Power Unit Opening**

- HL24RS: 18"W x 10"D
- HL28RS: 27"W x 10"D
- HL36RS: 27"W x 10"D

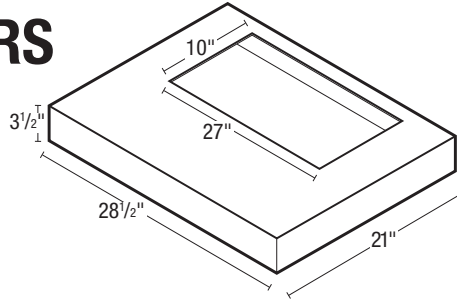
• **Usage**

- HL24RS: SEV24S, SEV24AB
- HL28RS: SEV28S, ESSEV28, SEV28AB, LE300, L300, LE600, L600
- HL36RS: SEV28S, ESSEV28, SEV28AB, LE300, L300, LE600, L600

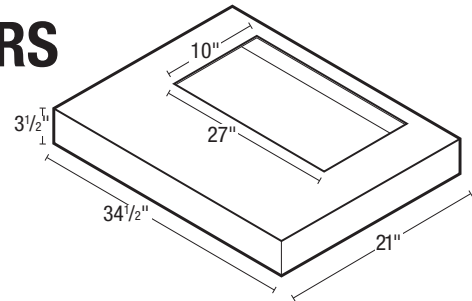
HL24RS



HL28RS



HL36RS



PROJECT							ARCHITECT		
LOCATION							ENGINEER		
CONTRACTOR							SUBMITTED BY		DATE
FAN NUMBER	MODEL NUMBER	CFM	IN W.C.	RPM	WATTS	AMPS	SONES	QTY	OPTIONAL EQUIPMENT & REMARKS



Air King: 820 Lincoln Avenue
 West Chester, Pennsylvania 19380-4466
 Tel: (610) 692-7400 • 877-304-3785
 Fax: (610) 696-8048

Canada:
 Brampton, Ontario
 Tel: 905-456-2033
 Fax: (905) 456-1015